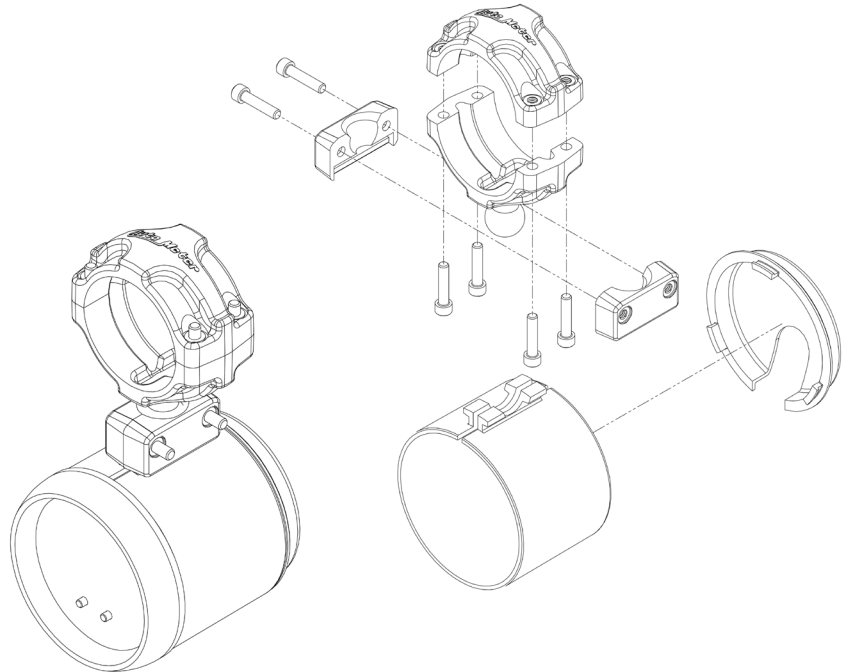


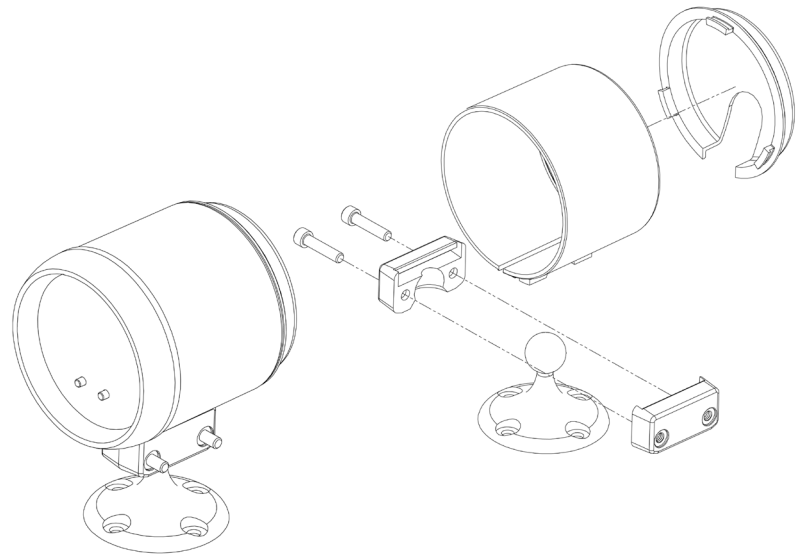
## Roll Pod Installation - Gauge

1. Remove all pieces from packaging.
2. Mounting studs on gauge may have to be cut.
3. Install two #8-32 x 3/4" Allen screws into the gauge Clamps, tighten until snug.
4. Assemble the two Roll Bar Bracket Clamps in the desired mounting position.
5. Install four #8-32 x 3/4" Allen screws until the Bracket Clamps fit snug, do not fully tighten.
6. Slide rear cover into gauge clamp and route all permanent gauge wiring and tubing.
7. Install and rotate the gauge into the desired position. Position the gauge so it is readable and does not block the view of the driver.
8. Once the gauge position has been decided, tighten the screws on the roll bar bracket clamp and gauge clamp to 1.69 N•m(15 in • lbs).



## Pedestal Pod Installation - Gauge

1. Remove all pieces from packaging.
2. Mounting studs on gauge may have to be cut.
3. Install two #8-32 x 3/4" Allen screws into the gauge Clamps, tighten until snug.
4. Position the Pedestal Mount on a flat surface in the desired mounting location. Using the four #8 x 5/8" self tapping screws, attach the pedestal to the surface.
5. Slide rear cover into gauge clamp and route all permanent gauge wiring and tubing.
6. Install and rotate the gauge into the desired position. Mount the gauge so it is readable and does not block the view of the driver.
7. Once the gauge position has been decided, tighten the screws on the Clamp to 1.69 N•m(15 in • lbs).



### SERVICE

For service send your product to STACK in a well packed shipping carton. Please include a note explaining what the problem is along with your phone number. Please specify when you need the product back. If you are sending product back for Warranty adjustment, you must include a copy (or original) of your sales receipt from the place of purchase.

### 12 MONTH LIMITED WARRANTY

STACK, Ltd. warrants to the consumer that all STACK products will be free from defects in material and workmanship for a period of twelve (12) months from date of the original purchase. Products that fail within this 12 month warranty period will be repaired or replaced at STACK's option to the consumer, when it is determined by STACK, Ltd. that the product failed due to defects in material or workmanship. This warranty is limited to the repair or replacement of parts in the STACK instruments. In no event shall this warranty exceed the original purchase price of the STACK instruments nor shall STACK, Ltd. be responsible for special, incidental or consequential damages or costs incurred due to the failure of this product. Warranty claims to STACK must be transportation prepaid and accompanied with dated proof of purchase. This warranty applies only to the original purchaser of product and is non-transferable. All implied warranties shall be limited in duration to the said 12 month warranty period. Breaking the instrument seal, improper use or installation, accident, water damage, abuse, unauthorized repairs or alterations voids this warranty. STACK, Ltd. disclaims any liability for consequential damages due to breach of any written or implied warranty on all products manufactured by STACK.

**FOR COMPLETE OPERATIONS GUIDE PLEASE VISIT: [WWW.STACKLTD.COM](http://WWW.STACKLTD.COM)**

Stack Ltd. Wedgwood Road Bicester OX26 4UL UK

T : +44 (0) 1869 240404

F: +44 (0) 1869 245500

E: [sales@stackltd.com](mailto:sales@stackltd.com)